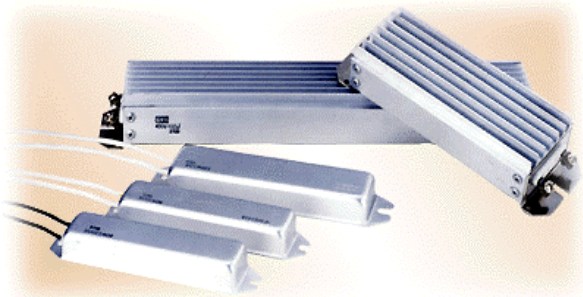


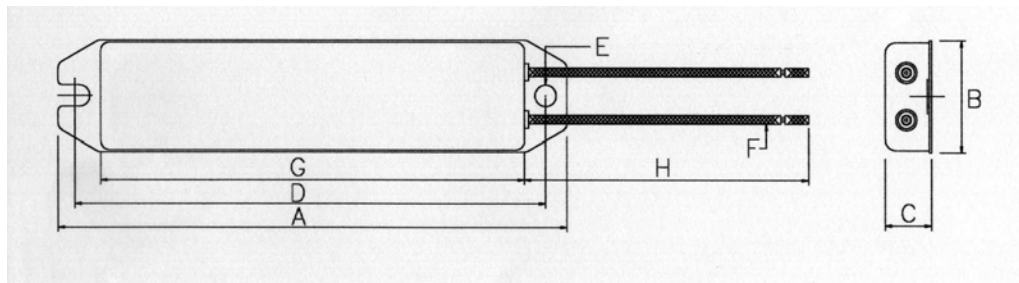
YESO Large Capacity Metal-Clad Fixed Resistors

AL Resistor Series



An aluminum encased resistor consists of an alloy metal coil-type resistance element assembled into an aluminum enclosure. Following high-temperature anodization, the enclosure is filled with a special non-flammable cement paste and after hardening, insulation is applied through a high-temperature process. Since the resistor is embedded in the heat-proof cement, it is not affected by external mechanical force, dusty environments, and extreme duty. It is durable, vibration-proof, dissipates heat well, and has a low temperature coefficient, with resistance varying in direct proportion. Supporting a flexible range of applications, the product is easy to utilize and install. Applications include industrial machinery, load testing, electric power distribution, instruments, and automated control installations. For custom specifications, please contact us to discuss the details.

ASQ TYPE High voltage, aluminum encased resistor.



| POWER RATING | DIMENSIONS 寸法 (mm) | | | | | | | | | RESISTANCE RANGE (Ω) |
|--------------|--------------------|----|----|-----|-----|---------------------|-----|-----|--------|----------------------|
| | A | B | C | D | E | F | G | H | Weight | |
| 60W | 100 | 30 | 13 | 90 | 4.5 | 0.75mm ² | 75 | 400 | 66/g | 1-10KΩ |
| 80W | 150 | 34 | 21 | 140 | 5 | 0.75mm ² | 125 | 400 | 170/g | 1-10KΩ |
| 120W | 182 | 42 | 21 | 172 | 6 | 0.75mm ² | 150 | 400 | 175/g | 1-10KΩ |

PERFORMANCE SPECIFICATIONS

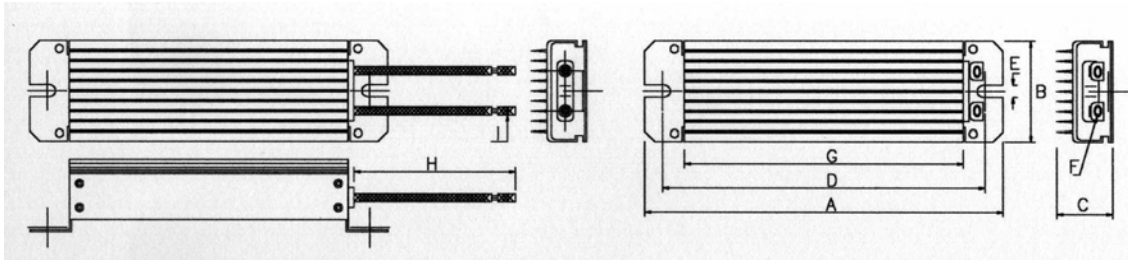
| 項目 TEST ITEM | 試驗方法 TEST METHODS | 性能 CHARACTERISTICS | Remark |
|-------------------------------------|---|--|--------|
| 電阻值容許誤差 Resistance tolerance | JIS-C-5202 5-1 | Tolerance resistance±10% (K) | |
| 電阻溫度特性 Temperature coefficient | JIS-C-5202 5-2 | ±200PPM/°C MAX | ETC |
| 定格負荷 Power rating load | JIS-C-5202 5-4 | Δ R/R ≤ ± (0.5% + 0.1Ω) Surface temperature up 350°C MAX | |
| 短時間過負荷 Short-term overload | JIS-C-5202 5-5 1000% rated power 5 seconds | Free of appearance or structural irregularity Δ R/R ≤ ± (2% + 0.1Ω) | |
| 絕緣抵抗 Insulation resistance | JIS-C-5202 5-6 1000VDC | 100MΩ min | ETC |
| 耐電壓 Dielectric withstanding voltage | JIS-C-5202 5-7 2000VDC 1 minute | Free of appearance or structural irregularity Δ R/R ≤ ± (0.1% + 0.05Ω) | ETC |
| 端子強度 Terminal strength | JIS-C-5202 6-1 8kg 30 seconds | Free of appearance or structural irregularity | ETC |
| 電阻器強度 Resistor strength | JIS-C-5202 6-2 30kg 30 seconds | Free of appearance or structural irregularity | ETC |
| 耐振性 Vibration | JIS-C-5202 6-3 1.5m/m 10 ~ 50 ~ 10 Hz/min X-Y-Z 2 hours each | Free of appearance or structural irregularity Δ R/R ≤ ± (1% + 0.05Ω) | ETC |
| 熱衝擊 Thermal shock | JIS-C-5202 7-3 Room temp 30 minutes ON-55°C 15 minutes OFF | Resistor free of structural irregularity Crack of silicon cement surface Δ R/R ≤ ± (2% + 0.1Ω) | |
| 耐濕性 Humidity | JIS-C-5202 7-5 40°C 90%RH 240 hours | Free of appearance or structural irregularity Δ R/R ≤ ± (3% + 0.1Ω) | ETC |
| 耐久性 Load life | JIS-C-5202 7-10 90 minutes ON - 30 minutes OFF 500 hours | Free of appearance or structural irregularity Discoloration of marking Δ R/R ≤ ± (3% + 0.1Ω) | |
| 難燃性 Flame retardation | JIS-C-5202 7-13-3-2 100% - 600% rated power load | US UL-94 flame retardation test V-0 grade noncombustible | |

REMARKS

1. Items noted with ETC were tested by Taiwan Electronic Testing Center as shown in report No. ET89T-03-086-C00.
2. Resistance and resistance tolerance were tested in-house with micro resistance meter.
3. Resistor coating refers to UL-certified data provided by supplier.

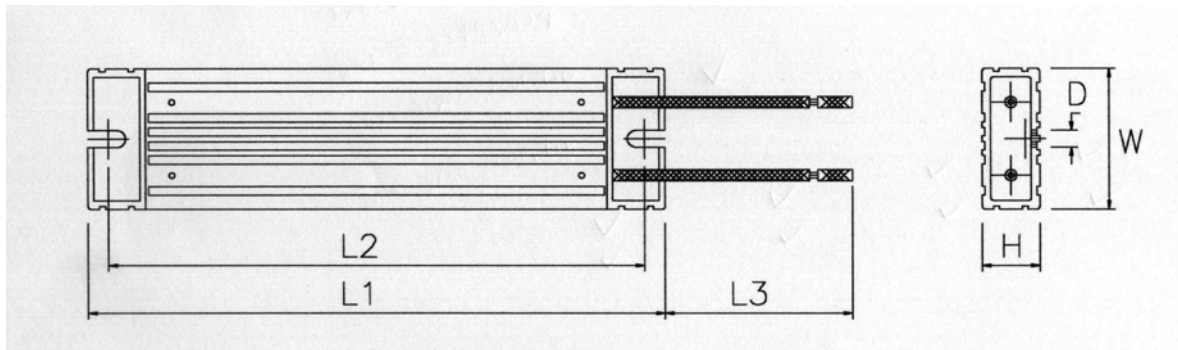
YESO Large Capacity Metal-Clad Fixed Resistors

ASH TYPE High voltage, aluminum encased resistor.



| POWER RATING | DIMENSIONS 寸法 (m/m) | | | | | | | | | | RESISTANCE RANGE (Ω) |
|--------------|---------------------|----|----|-----|---|--------|-----|-----|------------------|--------|-------------------------------|
| | A | B | C | D | E | F | G | H | I | Weight | |
| 200W | 200 | 65 | 45 | 185 | 6 | M5×8mm | 160 | 300 | 2mm ² | 725/g | 1 - 10K Ω |
| 300W | 280 | 65 | 45 | 265 | 6 | M5×8mm | 240 | 300 | 2mm ² | 1050/g | 1 - 10K Ω |
| 400W | 360 | 65 | 45 | 345 | 6 | M5×8mm | 320 | 300 | 2mm ² | 1295/9 | 1 - 10K Ω |
| 500W | 440 | 65 | 45 | 425 | 6 | M5×8mm | 400 | 300 | 2mm ² | 1650/g | 1 - 10K Ω |
| 600W | 520 | 65 | 45 | 505 | 6 | M5×8mm | 480 | 300 | 2mm ² | 1935/g | 1 - 10K Ω |

ASZ TYPE High voltage, aluminum encased resistor.



| POWER RATING | DIMENSIONS 寸法 (m/m) | | | | | | Weight | RESISTANCE RANGE (Ω) |
|--------------|---------------------|-----|------|------|-------|-------|--------|-------------------------------|
| | W±1 | H±1 | L1±2 | L2±2 | D±0.5 | L3±10 | | |
| 60W | 40 | 20 | 115 | 100 | 5.2 | 200 | 165/g | 2-2K Ω |
| 80W | 40 | 20 | 140 | 125 | 5.2 | 200 | 190/g | 2-2.5K Ω |
| 100W | 40 | 20 | 165 | 150 | 5.2 | 200 | 225/g | 2-3K Ω |
| 120W | 40 | 20 | 190 | 175 | 5.2 | 200 | 275/g | 3-4K Ω |
| 150W | 40 | 20 | 215 | 200 | 5.2 | 200 | 310/g | 3-5K Ω |
| 200W | 60 | 30 | 165 | 150 | 5.2 | 300 | 500/g | 3-6K Ω |
| 300W | 60 | 30 | 215 | 200 | 5.2 | 300 | 675/g | 5-7K Ω |
| 400W | 60 | 30 | 265 | 250 | 5.2 | 300 | 850/g | 5-8K Ω |
| 600W | 60 | 30 | 335 | 320 | 5.2 | 300 | 1070/g | 5-9K Ω |
| 800W | 60 | 30 | 400 | 385 | 5.2 | 300 | 1250/g | 5-10K Ω |

HOW TO ORDER

| ASQ | 400W | 20 Ω | K | N | O |
|----------------------------------|-----------------------------------|--|---------------------------------|--|---|
| ↓ | ↓ | ↓ | ↓ | ↓ | ↓ |
| Product type. | Rated power. | Resistance value. (Ω) | Resistance tolerance. | Assembly method. | Product status. |
| ASQ type ASH type ASZ type | 60W~120W 200W~600W 60W~800W | (Ω)Indicates resistance value in units of ohms. | J = $\pm 5\%$ K = $\pm 10\%$ | G- Horizontal mount N- No mounts. Z- Vertical mount. | A~ Special order. O~ General specification. Z~ Other. |