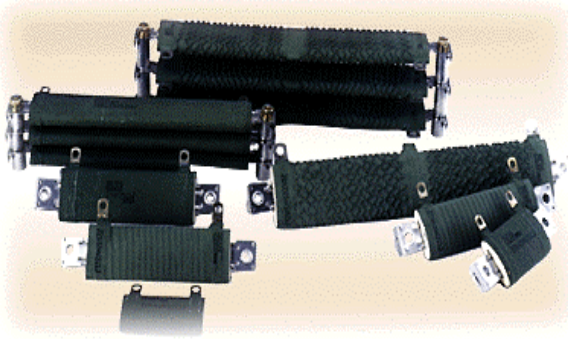


YESO Non-Flammable Flat Wire-Wound Power Resistors

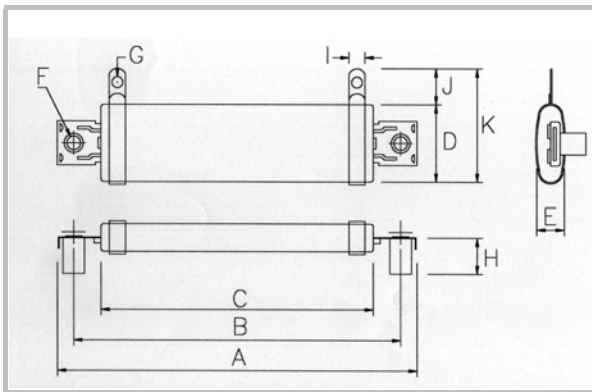
ZR Resistor Series



A flat tubular ceramic has two terminals and is wound with either copper wire or chromium alloy wire as a resistance element. It is coated with a high-temperature non-flammable resin. When cooled and dried, it is encapsulated in insulation through a high-temperature process before the final installation of the component mounts. It is mainly utilized for industrial installations where height is limited. Due to the excellent windings, many taps can be added, impedance is low, and PC board is insertable, and usable for many other integrated applications. These resistors are suitable for educational modeling applications, load testing, industrial machinery, electric power distribution, instruments, automation control installations, etc. For custom specifications, please contact us to discuss the details.

ZZR TYPE 40W-300W

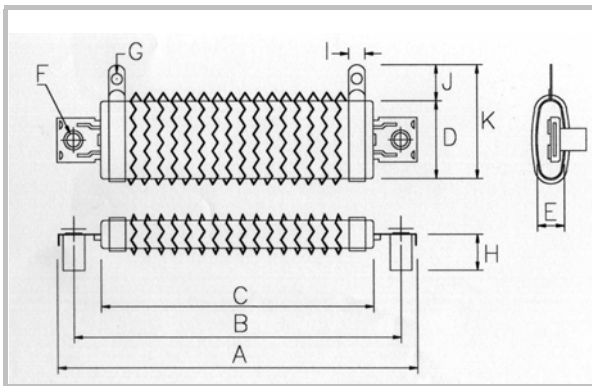
Flat ceramic form, set-type, wire-wound resistor



POWER RATING	DIMENSIONS 寸法 (m/m)											RESISTANCE RANGE (Ω)
	A	B	C	D	E	F	G	H	I	J	K	
40W	83	70	50	28	11	5.2	4.1	13	6.5	12	42	0.1-5K Ω
55W	123	110	90	28	11	5.2	4.1	13	6.5	12	42	0.1-6K Ω
70W	153	140	120	28	11	5.2	4.1	13	6.5	12	42	0.1-7K Ω
95W	183	170	150	28	11	5.2	4.1	13	6.5	12	42	0.1-10K Ω
100W	193	180	160	28	11	5.2	4.1	13	6.5	12	42	0.1-12K Ω
120W	218	205	185	28	11	5.2	4.1	13	9	12	42	0.1-15K Ω
150W	218	205	185	35	11	5.2	5.2	13	9	13	48	0.1-18K Ω
200W	243	230	210	35	11	5.2	5.2	13	9	13	48	0.1-25K Ω
250W	287	274	254	35	11	5.2	5.2	13	9	13	48	0.1-30K Ω
300W	333	320	300	35	11	5.2	5.2	13	9	13	48	0.1-35K Ω

ZQR TYPE 60W-450W

Flat ceramic form, wave-type wire-wound resistor



POWER RATING	DIMENSIONS 寸法 (m/m)											RESISTANCE RANGE (Ω)
	A	B	C	D	E	F	G	H	I	J	K	
60W	83	70	50	28	11	5.2	4.1	13	6.5	12	42	1-4 Ω
80W	123	110	90	28	11	5.2	4.1	13	6.5	12	42	1-5 Ω
100W	153	140	120	28	11	5.2	4.1	13	6.5	12	42	1-7 Ω
140W	183	170	150	28	11	5.2	4.1	13	6.5	12	42	1-9 Ω
150W	193	180	160	28	11	5.2	4.1	13	6.5	12	42	1-10 Ω
180W	218	205	185	28	11	5.2	4.1	13	9	12	42	1-12 Ω
225W	218	205	185	35	11	5.2	5.2	13	9	13	48	1-15 Ω
300W	243	230	210	35	11	5.2	5.2	13	9	13	48	1-20 Ω
375W	287	274	254	35	11	5.2	5.2	13	9	13	48	1-25 Ω
450W	333	320	300	35	11	5.2	5.2	13	9	13	48	1-30 Ω

HOW TO ORDER

Product type.	Rated power.	Resistance value. (Ω)	Resistance tolerance.	Assembly method.	Product status.
ZZR type ZQR type	40W~300W 60W~450W	(Ω)Indicates resistance value in units of ohms.	H = $\pm 3\%$ J = $\pm 5\%$ K = $\pm 10\%$	2-8 part assembly G- Horizontal mount N- No mounts. Z- Vertical mount.	A~ Special order. O~ General specification. Z~ Other.

YESO Non-Flammable Flat Wire-Wound Power Resistors

ZNR TYPE 40W-300W

Flat ceramic form, set-type, low inductive wire-wound resistor

POWER RATING	DIMENSIONS 寸法 (m/m)											RESISTANCE RANGE (Ω)
	A	B	C	D	E	F	G	H	I	J	K	
40W	83	70	50	28	11	5.2	4.1	13	6.5	12	42	0.1-2K Ω
55W	123	110	90	28	11	5.2	4.1	13	6.5	12	42	0.1-2.5K Ω
70W	153	140	120	28	11	5.2	4.1	13	6.5	12	42	0.1-3K Ω
95W	183	170	150	28	11	5.2	4.1	13	6.5	12	42	0.1-4.5K Ω
100W	193	180	160	28	11	5.2	4.1	13	6.5	12	42	0.1-5.5K Ω
120W	218	205	185	28	11	5.2	4.1	13	9	12	42	0.1-7K Ω
150W	218	205	185	35	11	5.2	5.2	13	9	13	48	0.1-8.5K Ω
200W	243	230	210	35	11	5.2	5.2	13	9	13	48	0.1-12K Ω
250W	287	274	254	35	11	5.2	5.2	13	9	13	48	0.1-14K Ω
300W	333	320	300	35	11	5.2	5.2	13	9	13	48	0.1-16K Ω

ZQN TYPE 60W-450W

Flat ceramic form, wave-type, low inductance resistor

POWER RATING	DIMENSIONS 寸法 (m/m)											RESISTANCE RANGE (Ω)
	A	B	C	D	E	F	G	H	I	J	K	
60W	83	70	50	28	11	5.2	4.1	13	6.5	12	42	1-4 Ω
80W	123	110	90	28	11	5.2	4.1	13	6.5	12	42	1-5 Ω
100W	153	140	120	28	11	5.2	4.1	13	6.5	12	42	1-7 Ω
140W	183	170	150	28	11	5.2	4.1	13	6.5	12	42	1-9 Ω
150W	193	180	160	28	11	5.2	4.1	13	6.5	12	42	1-10 Ω
180W	218	205	185	28	11	5.2	4.1	13	9	12	42	1-12 Ω
225W	218	205	185	35	11	5.2	5.2	13	9	13	48	1-15 Ω
300W	243	230	210	35	11	5.2	5.2	13	9	13	48	1-20 Ω
375W	287	274	254	35	11	5.2	5.2	13	9	13	48	1-25 Ω
450W	333	320	300	35	11	5.2	5.2	13	9	13	48	1-30 Ω

HOW TO ORDER

Product type.	Rated power.	Resistance value. (Ω)	Resistance tolerance.	Assembly method.	Product status.
ZNR type ZQN type	40W~300W 60W~450W	(Ω)Indicates resistance value in units of ohms.	H = $\pm 3\%$ J = $\pm 5\%$ K = $\pm 10\%$	2-8 part assembly G- Horizontal mount N- No mounts. Z- Vertical mount.	A~ Special order. O~ General specification. Z~ Other.